

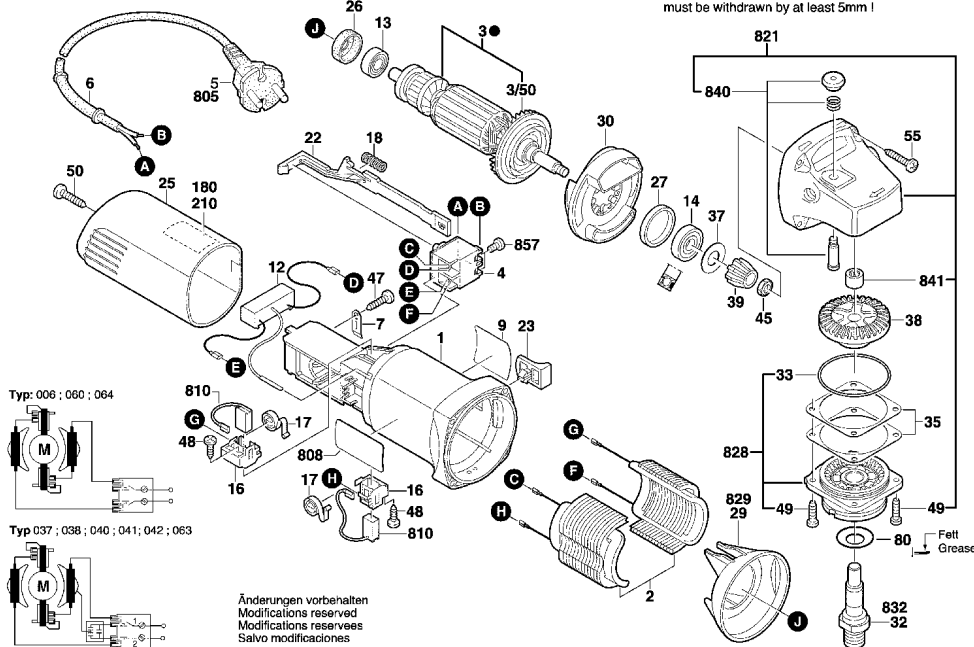


0 601 375 006  
Stand } 08-01  
Issue } 14-07-22

Fig./Abb. 1

**Gerad - Verzahnung**

● Vor Demontage des Ankers  
Kohlebürsten 5mm zurückziehen !  
Before the armature is removed the carbon brushes  
must be withdrawn by at least 5mm !



POS No.	Qty	Part No.	Description	List Price (Rs.)
1	1	1619P09772	Motor Housing .	507
2	1	1604220328	Field 220-240V .	420
3	1	1604010626	Armature 220-240V .	555
3/50	1	1606610141	Fan .	93
4	1	1607200179	Switch .	235
6	1	2600703012	Grommet Ø6,5-Ø6,9x	49
7	1	1601302017	Fastening Clamp .	21
9	1	2609130611	Manufacturer's namep	
13	1	2600905032	Deep-Groove Ball Be	125
14	1	1619P11240	Deep-Groove Ball Be	
16	2	1604336035	Brush Holder .	74
17	2	1604652013	Spiral Spring .	34
18	1	1604611031	Compression Spring	51
22	1	1602319009	Adjusting Slide .	54
23	1	1602026068	Switch Handle BLAC	53
25	1	1605500194	Housing Cover BLUE	148
26	1	1600502024	Intermediate Ring .	46
27	1	1600206025	Rubber Ring .	50
29	1	1600591023	Air-Deflector Ring .	51
30	1	1600591024	Air-Deflector Ring .	106
32	1	1603523111	Grinding Spindle M1C	263
33	1	1600210041	O-Ring 42,0x1,1 MM	56
35	1	1600136016	Shim 0,1 MM THICK	53
35	1	1600136017	Shim 0,2 MM THICK	53
37	1	1600100033	Cover Disc .	50
38	1	2609110150	Crown Gear .	165
39	1	2609110149	Bevel Gear .	115
45	1	2915011007	Hex Nut DIN 934-M6	19
47	1	2609110052	Special Screw .	34
48	2	1619P00220	Torx Oval-Head Scre	21

POS No.	Qty	Part No.	Description	List Price (Rs.)
49	4	1603435068	Thread-forming tap. S	32
50	1	2910611020	Tapping Screw DIN ;	32
55	4	2910611022	Tapping Screw DIN ;	19
80	1	3600150021	Sealing disk .	50
650/10	1	2602025067	Auxiliary Handle M10	83
650/20	1	1619P09976	Round Nut With 2 Ho	50
650/30	1	2609110015	Pin-Type Face-Wrenc	39
650/50	1	1605703113	Clamping-Flange M1C	36
651	1	2609110050	Protective Guard Ø 1	287
805	1	1607000387	Power supply cord .	236
808	1	1619P00614	Nameplate .	
810	1	1607014145	Carbon-Brush Set .	85
821	1	1605806466	Gear Housing .	482
828	1	1605805090	Bearing Flange BLA(	337
840	1	1607000298	Push-Button BLACK	89
841	1	1600910018	Needle bearing Ø8x2	95
857	2	2910641081	Oval-Head Screw DII	